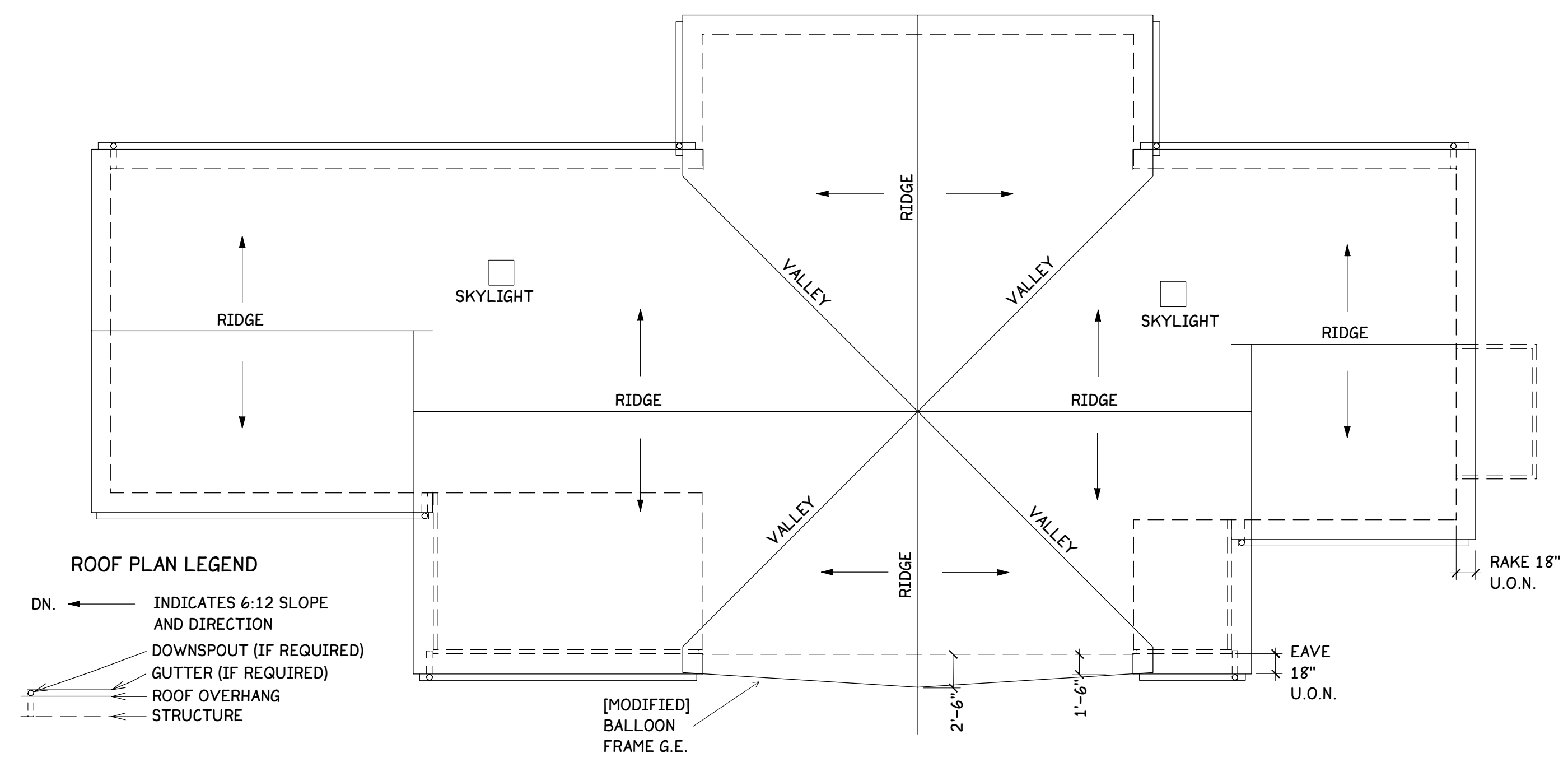


- ROOF FRAMING NOTES:**
- RF1. Headers in 2x6 exterior walls shall be 4x12, UON, with 2" of rigid foam insulation on outside of header.
 - RF2. Provide attic and soffit ventilation as per section 1505.3 of the UBC.
 - RF3. Use class "A" comp roofing with 28 gauge valley flashing over 15# felt over 1/2" CDX plywood or OSB sheathing APA 32/16 (UON) nailed w/5d @6" o.c. edge & 12" o.c. field, over radiant barrier insulation.
 - RF4. Sheathing exposed to weather use CDX plywood.
 - RF5. Truss to top plate connection use Simpson H1.
 - RF6. U.O.N. 2x & 4x lumber use D.F. #2. 6x and greater lumber use D.F. #1.
 - RF7. All metal connectors to be Simpson ICB approved connectors only.
 - RF8. All Calif (flat) valleys to be 2X full width of cut.
 - RF9. Provide 2x6 45° gable end braces @ 48" o.c.
 - RF10. Use 3 1/2" x 22" screened eave vents.

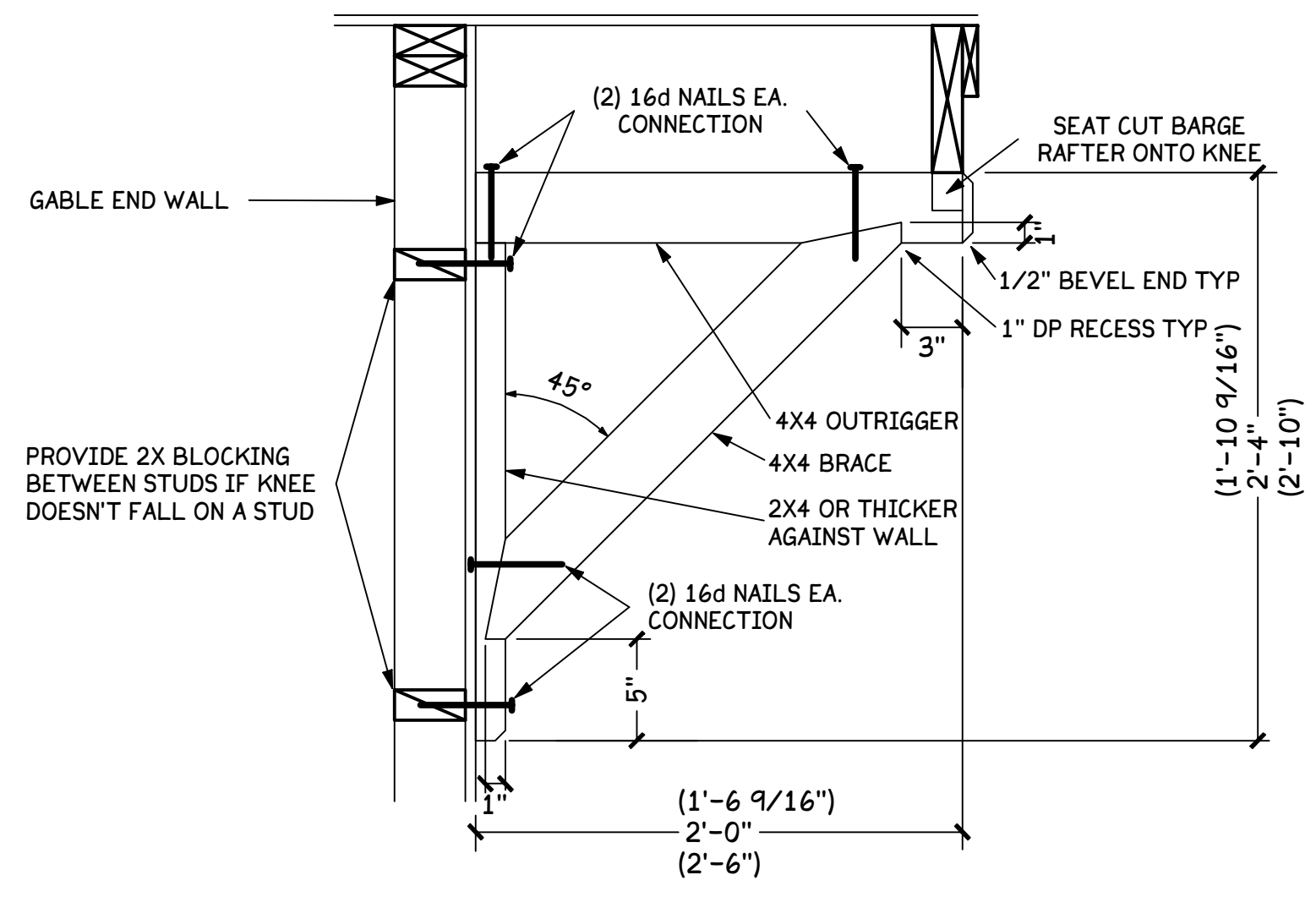
LEGEND
 INTERIOR BEARING WALL

ROOF FRAMING PLAN
 SCALE: 1/4" = 1'



- ROOF PLAN LEGEND**
- DN. ← INDICATES 6:12 SLOPE AND DIRECTION
 - ↓ DOWNSPOUT (IF REQUIRED)
 - GUTTER (IF REQUIRED)
 - ROOF OVERHANG STRUCTURE

ROOF PLAN
 SCALE: 1/8" = 1'



KNEE BRACE DETAIL
 SCALE: 1-1/2" = 1'

House Plan

FOR
Ron & Mary Ann Dunant

A portion of the NW 1/4 Sec. 6 T. 14N. R. 9E. MDM
 In the unincorporated territory of

NEVADA COUNTY, CALIFORNIA

May 15, 2006