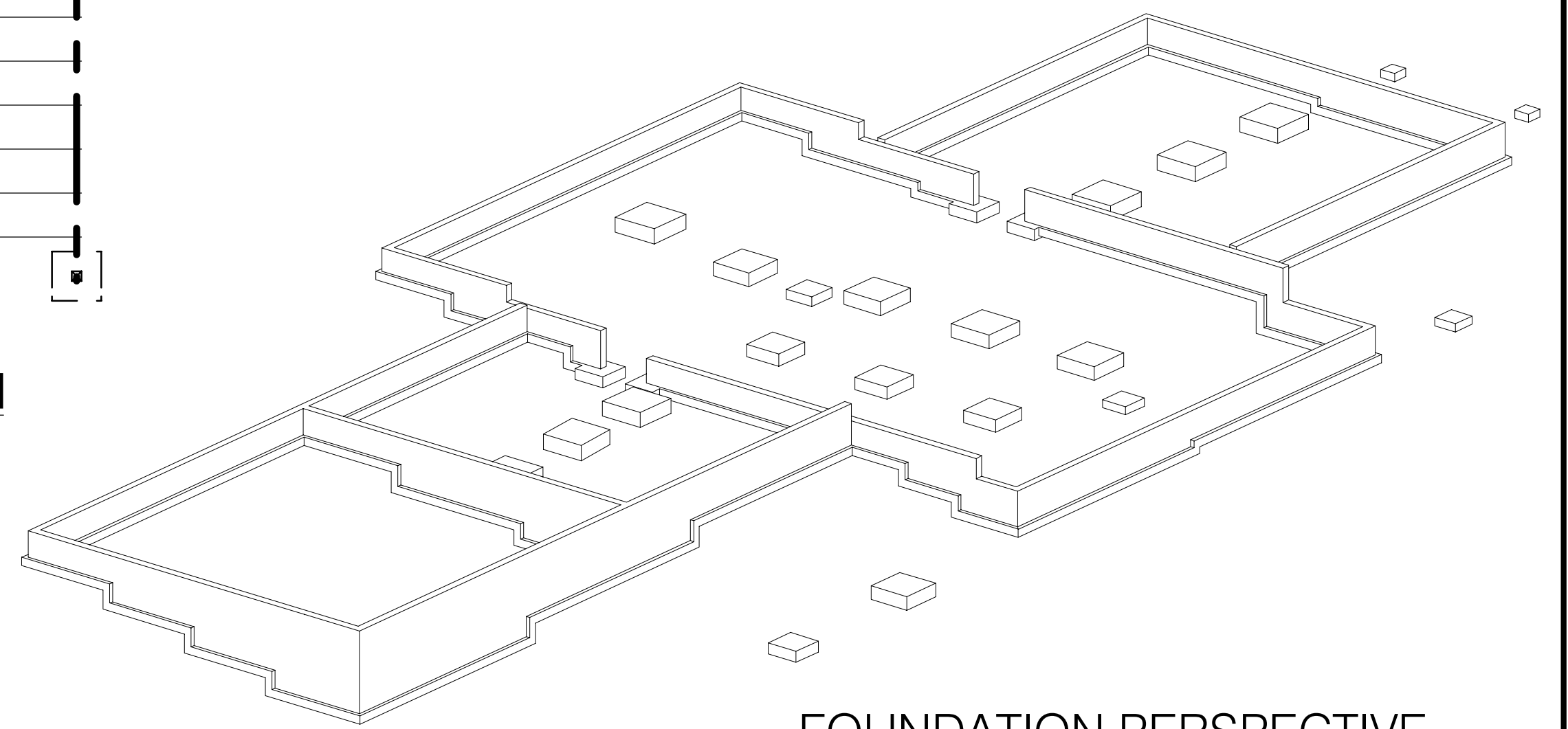
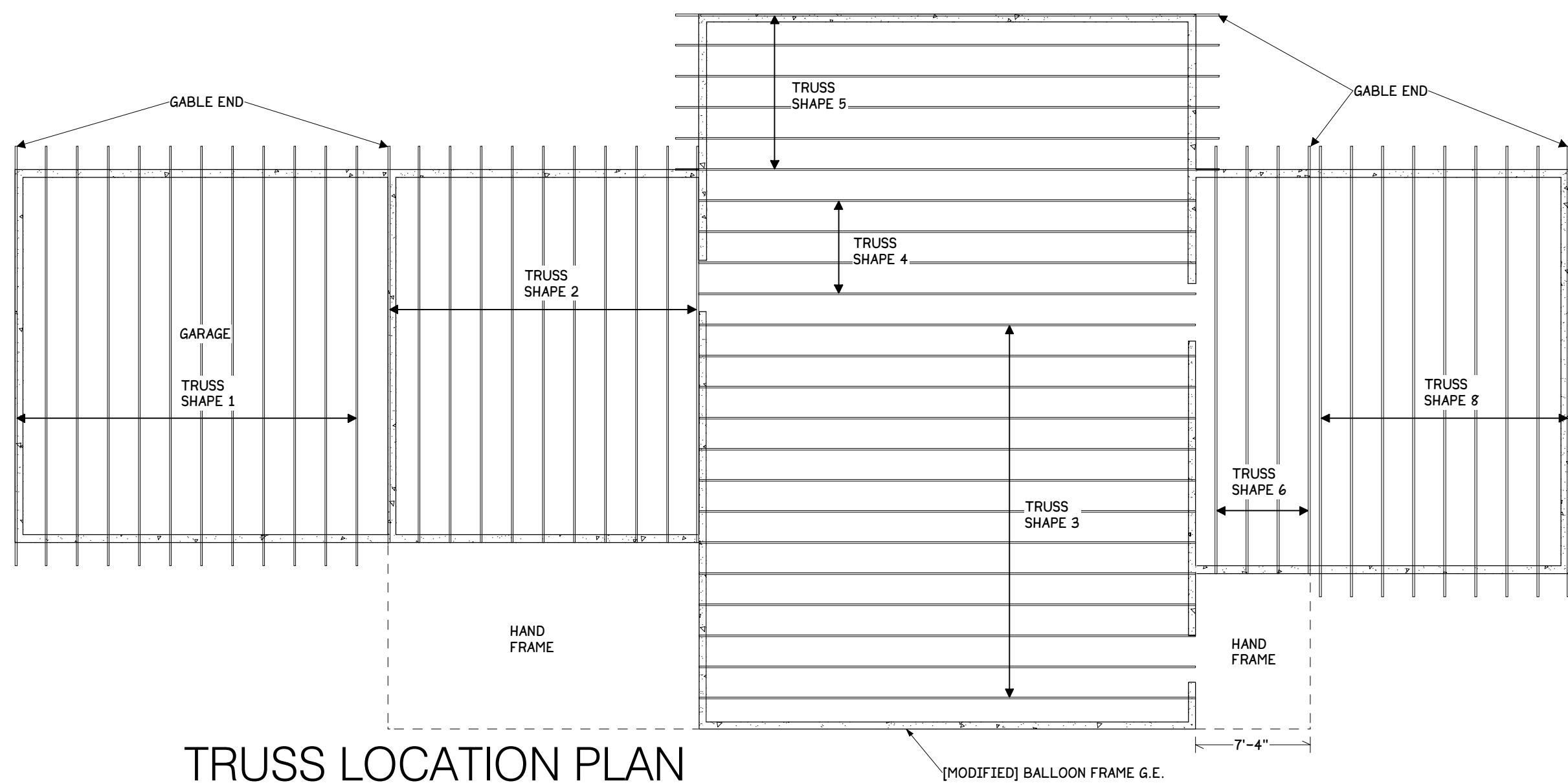


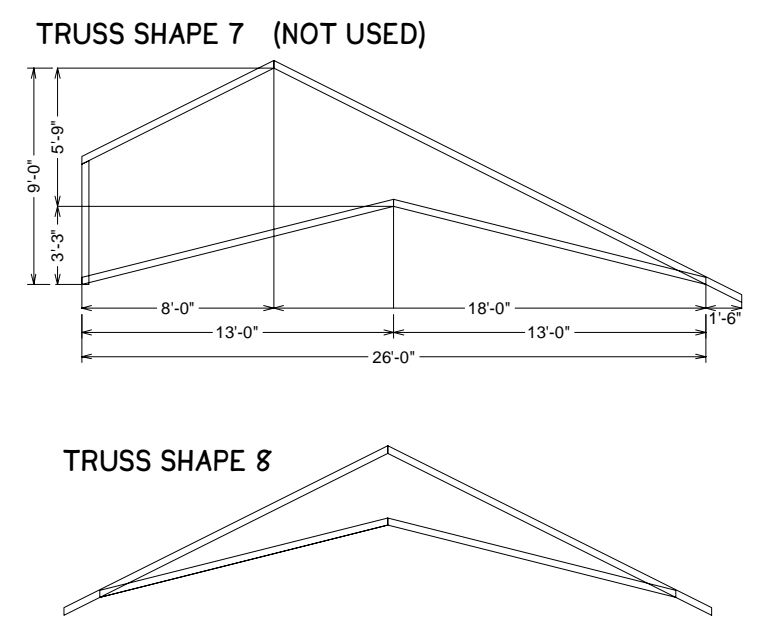
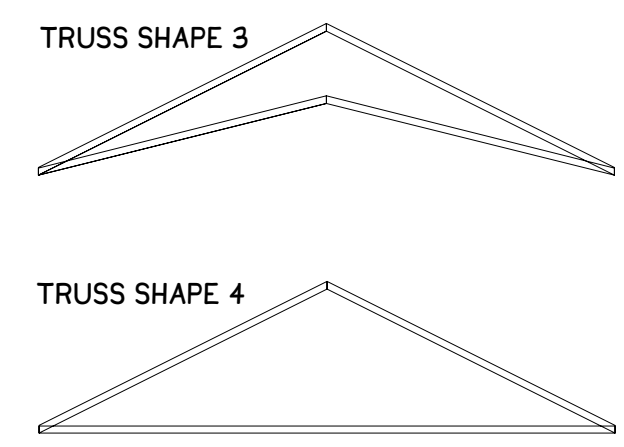
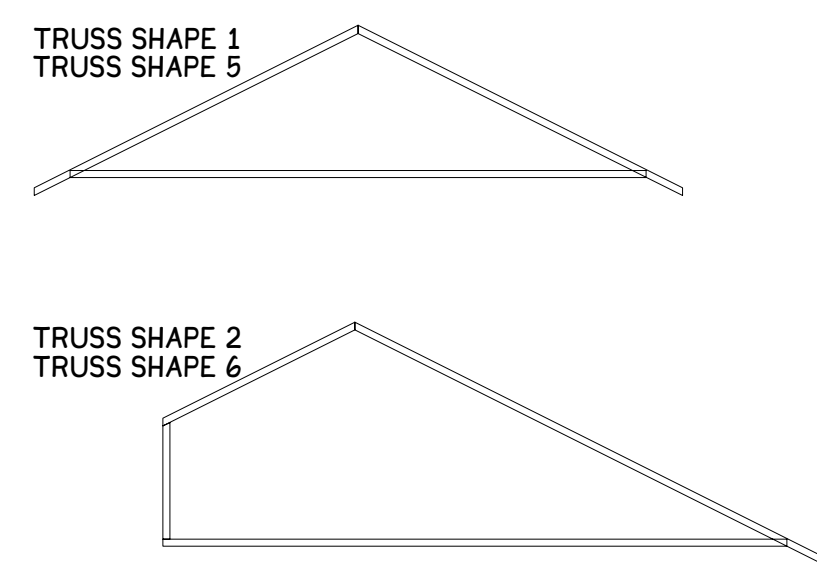
JOIST DETAIL PLAN
SCALE: 1/4" = 1'



FOUNDATION PERSPECTIVE
VERTICAL SCALE: 1/8" = 1'



TRUSS LOCATION PLAN
SCALE: 1/8" = 1'



TRUSS OUTLINES
NO SCALE

House Plan

FOR
Ron & Mary Ann Dunant

A portion of the NW 1/4 Sec. 6 T. 14N. R. 9E. MDM
In the unincorporated territory of

NEVADA COUNTY, CALIFORNIA

May 14, 2006